

Appendix D: Installation helpsheet

INSTALLING YOUR DIGITAL TV BOX

These instructions have been prepared by the Bolton Digital TV Project to help you connect your new digital box to your TV set.

Before you start

- It is easy to connect the digital box yourself – you cannot break it.
- Unplug your TV from the electricity supply.
- The digital box has its own power lead for electricity. Do not switch on until you have connected all of your equipment together.
- Take time to identify the various cables, plugs and sockets that you will use when installing the digital box. The following will be supplied with your digital box:



User Guide



Aerial Loop Cable



SCART Cable



Remote Control



Batteries

There are two stages to installing your digital box

A: Plug in the cables connecting the digital box to your TV set and to the Video or DVD if there is one.

B: Switch everything on and tune-in the new digital channels. You may need to refer to your TV's User Manual if you are unsure how to re-tune your TV.

Notes about the equipment

- Identify the equipment currently connected to your TV (eg Video or DVD). They will need to be connected to your new digital box.
- Please check whether there is a SCART socket on the rear of your TV set. There may be more than one of them. This is important, as there are different ways of connecting your digital box, depending on whether or not your TV has a SCART socket. A picture of the SCART socket is below.



Aerial Socket



Aerial Plug



SCART Socket



SCART Plug



RF Output



RF Cable Socket

- It is easy to connect your digital box. The cables supplied are designed to only connect one way. Note how the plugs at the end of the cables supplied with your digital box differ:
 - The Aerial Loop Cable has a plug at one end and a socket at the other.
 - The SCART cable has identical plugs at each end – shaped so they can only be plugged in one way.
 - All sockets are located on the back of your TV, Video and DVD.
- Fit the batteries supplied into the digital box's remote control. Take care to insert them the right way around, as shown in the remote's battery compartment.

Connecting your digital box

To connect your digital box, follow the instructions on page 2 if your TV **does not** have a SCART socket, or page 3 if your TV **does** have a SCART socket.

For a TV without a SCART socket

A: Instructions to connect the digital box to your TV set and other equipment:



With your TV and digital box disconnected from the electricity supply follow the steps below:

TV without other equipment attached

- 1 Take the aerial cable from the back of the TV and connect it to the digital box's aerial socket (see diagram).
- 2 Using the aerial (RF) loop cable supplied, connect it to the digital box RF output socket and the TV's aerial socket.

Go straight to **B: Re-tuning your digital box** (below).

TV with only a DVD Player

Complete 1 and 2 as above

- 3 Using the SCART cable supplied with your digital box, connect to the digital box's VCR SCART socket and the DVD's SCART socket.

Go straight to **B: Re-tuning your digital box** (below).

TV with only a Video/VCR

- 1 Take the aerial cable currently plugged into your video and connect it to the digital box's aerial socket.
- 4 Using the aerial (RF) loop cable supplied with your digital box, connect it to the digital box's RF output socket and the Video's aerial socket.
- 5 Keep the existing aerial (RF) loop cable connected between the Video's RF output socket and TV's aerial socket.

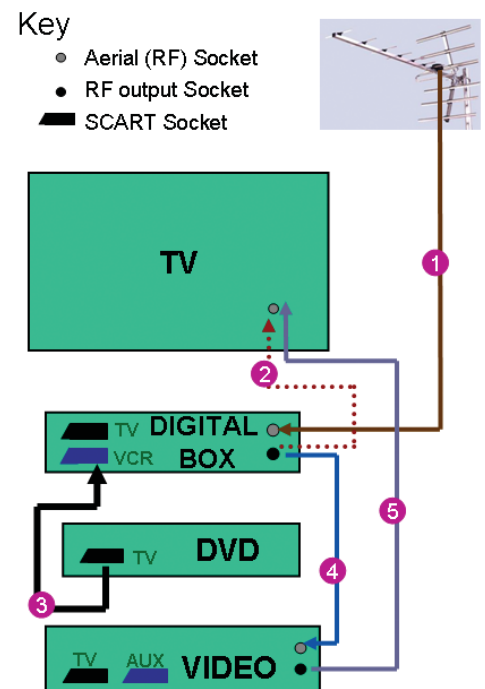
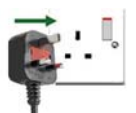
Go straight to **B: Re-tuning your digital box** (below).

TV with both a Video and DVD

Complete 1, 3, 4 and 5 as above (ignore 2)

B: Re-tuning your digital box

- Reconnect electricity to the digital box and TV. Put your Video/DVD in standby mode.
- Select a spare channel on the TV (button 6 recommended) and tune it to the digital box. Refer to your TV instruction manual if you need to.
- The TV screen will automatically show an on-screen display from the digital box when the right channel is found.
- Store using your TV's storing procedure.
- Follow the on-screen tuning procedure using the digital box remote control.
- **Always point the digital box remote control at the digital box (not the TV).**



For a TV with one or more SCART sockets

A: Instructions to connect the digital box to your TV set and other equipment:



With your TV and digital box disconnected from the electricity supply follow the steps below:

TV without other equipment attached

- 1 Take the aerial cable from the back of the TV and connect it to the digital box's aerial socket.
- 2 Using the aerial (RF) loop cable supplied with your digital box, connect it between the digital box RF output socket and the TV's aerial socket.
- 3 Using the SCART cable supplied with your digital box, connect it to the digital box's "TV" SCART socket and the SCART socket at the rear of the TV. If the TV has more than one SCART socket use the one with the lowest input number – eg. E1; AV1.

Go straight to **B: Re-tuning your digital box** (below).

TV with only a DVD Player

Complete 1, 2 and 3 as above

- 4 Connect a SCART cable between your digital box's video SCART socket and the DVD's SCART socket*.

Go straight to **B: Re-tuning your digital box** (below).

TV with only a Video/VCR

- 1 Take the aerial cable currently connected to your video and connect it to the digital box's aerial socket.
- 3 Complete 3 as in the above section.
- 5 Using the aerial (RF) loop cable supplied with your digital box, connect it to the digital box's RF output socket and the video's aerial socket.
- 6 Keep the existing aerial (RF) loop cable connected to the video's RF output socket and TV's aerial socket.
- 7 Connect your TV's SCART cable to the digital box's "VIDEO" SCART socket and the "Aux" SCART socket on the VIDEO*.

Go straight to **B: Re-tuning your digital box** (below).

TV with both a Video and DVD

Complete 1, 3, 5, 6 and 7 as above (ignore 2 and 4)

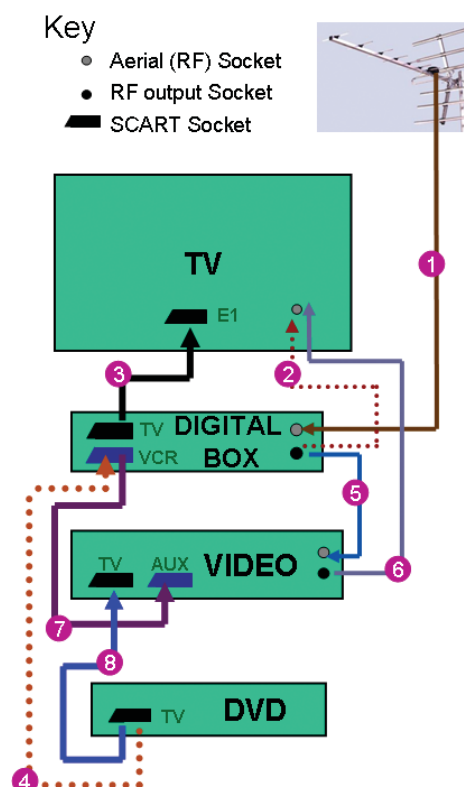
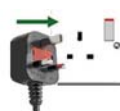
- 8 Connect the SCART cable to the DVD's SCART socket and the Video's "TV" SCART socket.

Note: If your TV has a 2nd SCART socket – connect the DVD player or Video directly to the second socket*.

Go straight to **B: Re-tuning your digital box** (below).

B: Re-tuning your digital box

- Reconnect electricity to the TV and switch it on.
- Then do the same with the digital box.
- Make sure your video and DVD are on standby mode.
- The TV screen will automatically show an on-screen display from the digital box.
- Follow the digital box's on-screen tuning procedure using its remote control.
- **Always point the digital box remote control at the digital box (not at the TV).**



*If you don't have enough SCART cables, call the helpline.

Common Problems

- **If the picture 'breaks up':** call the Bolton Digital TV Project Helpline on **01204 338024**, as you may need to have your aerial adjusted.
- **Connect all equipment correctly:** make sure you 'push in' all connections firmly.

Additional Help

- Don't be worried about trying to connect the digital box yourself – you cannot break it. It will be really helpful if you have a go!
- Like many people you may prefer to call on friends, family or neighbours to help you. Please feel free to do so, that's fine by us
- But if you do need more help, please call the Bolton Digital TV Project **Helpline** on **01204 338024** (Monday-Friday 9am-5pm local call rate)

These instructions have been prepared by the Bolton Digital TV Project for participants who have chosen the Freeview digital TV option. The Bolton Digital TV Project is a short term project to help older people and people with disabilities switch to digital TV.



BOLTON DIGITAL TV PROJECT

THE 'BOLTON DIGITAL TV PROJECT' IS MANAGED BY THE DEPARTMENT FOR CULTURE, MEDIA AND SPORT AND SUPPORTED BY BOLTON METROPOLITAN BOROUGH COUNCIL, AGE CONCERN BOLTON AND THE BBC.